

MLA27

Hermetically Sealed Single Point Load Cell

MeasureX

Features

- Hermetically sealed to IP68 protection
- Load Measurement Range of 10 -600kg
- High Accuracy and siduaload Tolerance
- Stainless steel construction
- Approved for weighing in wet environments



Description

MLA27 series with stainless steel construction is a rugged and accurate load cell suitable for tension-compression load measurement. This hermetically sealed single point load cell offers great flexibility and reliability for a wide range of applications involving wet environments.

MLA27 is available in standard ranges from 10 kg to 600kg with an output of mV/V. The robust construction of MLA27 with its high performance makes it ideal for demanding long-term underwater applications.

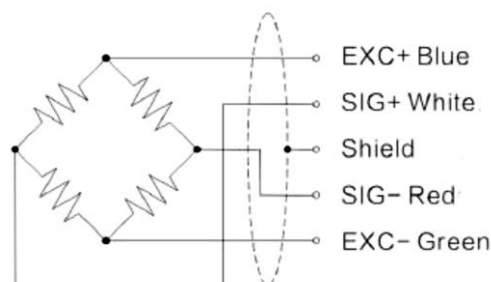
Applications

- Electronic Scales
- Bin and hopper weighing systems
- Tension force measurement
- Hanging Scales
- OEM scale construction
- High-speed check weighers

Technical Specifications

- Capacity:** 10 to 600kg
- Output:** $2 \pm 0.2\text{mV/V}$
- Precision:** 0.02% FS (standard),
- Creep:** $\pm 0.02\%$ FS (30min)
- Overload rating:** 150% FS
- Supply voltage:** 5 to 12 VDC
- Zero balance:** $\pm 2\%$ FS
- Protection:** IP68
- Max.platform size-** 600mmx600mm
- Compensated temp. range:** -10 to 40°C
- Operating temp. range:** -35 to +70°C
- Temp. coefficient of zero:** 0.02% FS /10°C
- Temp. coefficient of span:** 0.02% FS /10°C
- Insulation resistance:** $\geq 5000\text{M}\Omega$ @ 100VDC
- Electrical connection:** 5-core shielded cable of length 3m
- Material:** Stainless steel

Wiring



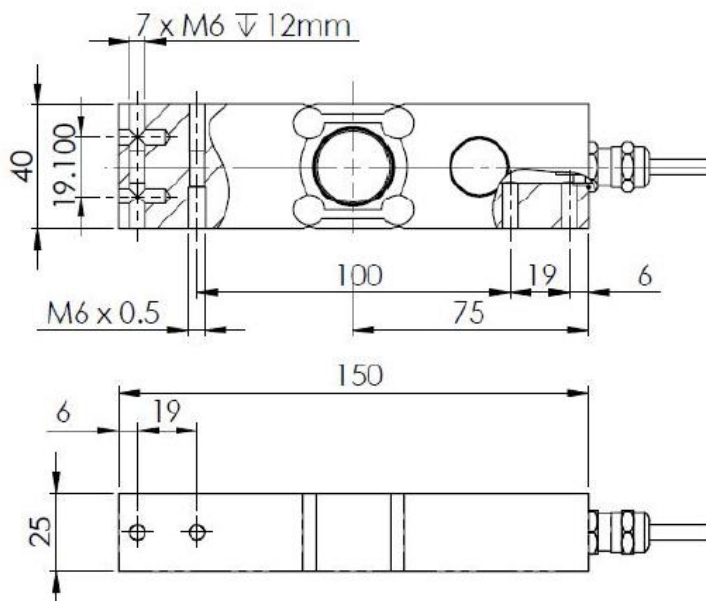
MLA27

Hermetically Sealed Single Point Load Cell

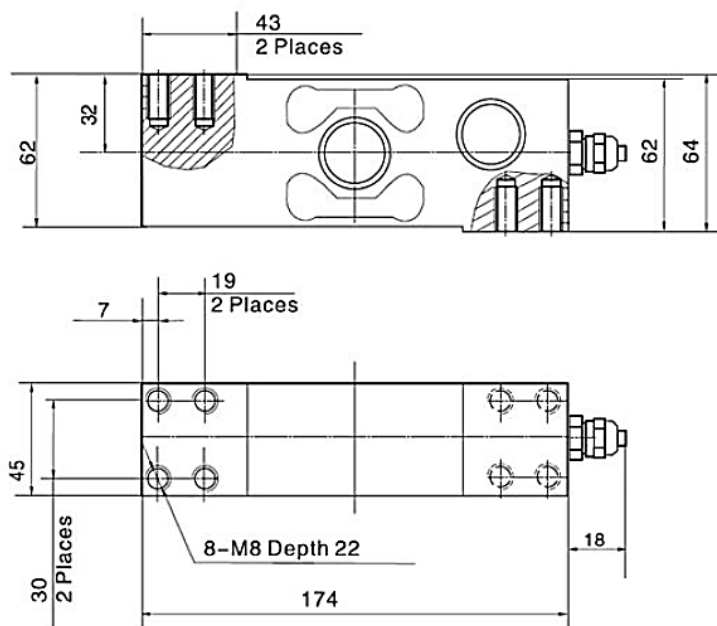
MeasureX

Dimensions

10-50kg



100-600kg



Note: All specifications are subject to change without prior notice

Ver. 5.0-18/03