

MLA66

Low Range Single Point Load Cell

MeasureX

Features

- High Measuring Accuracy (0.015%FS)
- Load Measurement Range of 100 & 200grams
- Compact and Rugged Model
- Anodized Aluminium Alloy Material
- Easy to install and IP65 protection



Description

MLA66 series with Aluminium alloy material is a rugged and accurate load cell suitable for tension-compression load measurement. This single point load cell offers great flexibility and reliability for a wide range of applications with highly competitive pricing.

MLA66 is available in standard ranges of 100 & 200 grams with an output of mV/V. The standard Precision is 0.015% FS. The robust construction of MLA66 with its high performance makes it ideal for demanding long term applications.

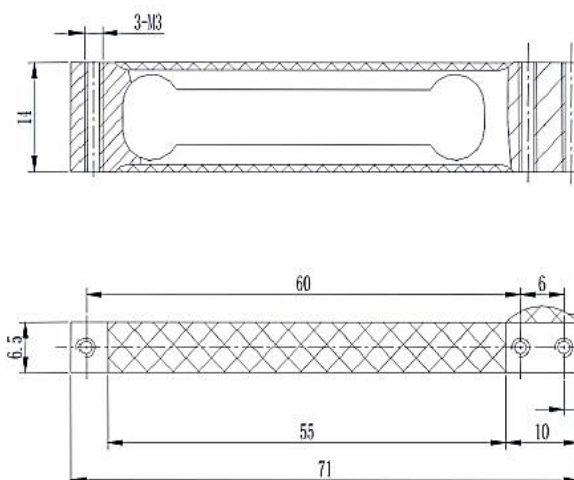
Applications

- Electronic scales
- Bin and hopper weighing systems
- Mechanical scale conversion
- Hanging Scales
- OEM scale construction
- Level and inventory measurement

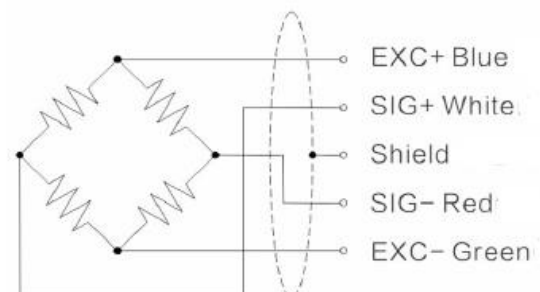
Technical Specifications

- Capacity: 100,200 grams
- Output: 0.9 ± 0.1 mV/V
- Precision: 0.015% FS
- Creep: $\pm 0.0166\%$ FS
- Overload rating: 150% FS
- Supply voltage: 5 to 15 VDC
- Zero balance: ± 0.05 mV/V
- Compensated temp. range: -10 to 40°C
- Operating temp. range: -20 to +50°C
- Temp. coefficient of zero: 0.03% FS /10°C
- Temp. coefficient of span: 0.02% FS /10°C
- Insulation resistance: ≥ 5000 MΩ @ 100VDC
- Electrical connection: 4-core shielded of 100mm

Dimensions



Wiring



Note: All specifications are subject to change without prior notice

Ver. 5.1-18/03