

MLC25

Column Compression Load Cell

Features

- Stainless steel construction
- Load Measurement Range of 5 - 500t
- Rugged Model
- Self-aligning ability
- Hermetically Welded

Description

MLC25 series with Stainless Steel material is a rugged and accurate load cell suitable for compression load measurement. This column compression load cell offers great flexibility and reliability for a wide range of applications with highly competitive pricing. Installation of this load cell is easy and it is water and oil-proof.

MLC25 is available in standard ranges from 5 t to 500t with an output of mV/V. The standard Precision is 0.1% FS. The robust construction of MLC25 with its high performance makes it ideal for demanding long term applications.



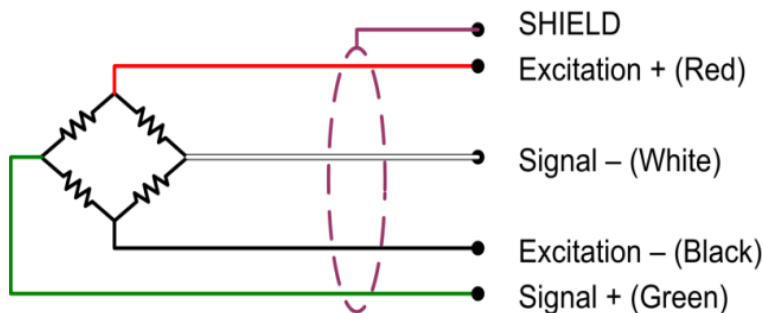
Applications

- Electronic scales
- Bin and hopper weighing systems
- Mechanical scale conversion
- Hanging Scales
- OEM scale construction
- Level and inventory measurement

Technical Specifications

- Capacity(t): 5,10,20,50,100,200,400,500
- Output: 2mV/V
- Precision: 0.1% FS (combined LRH error)
- Creep: $\pm 0.02\%$ FS / 30min
- Overload rating: 150% FS
- Max Excitation: 10 VDC
- Zero balance: $\pm 1\%$ FS
- Protection: IP66
- Compensated temp. range: -10 to 50°C
- Operating temp. range: -20 to +60°C
- Temp. coefficient of zero: 0.02% FS /10°C
- Temp. coefficient of span: 0.02% FS /10°C
- Insulation resistance: $\geq 5000\text{M}\Omega$ @ 50VDC
- Input resistance: $450\pm 5\Omega$
- Output resistance: $480\pm 3\Omega$
- Electrical connection: 6m

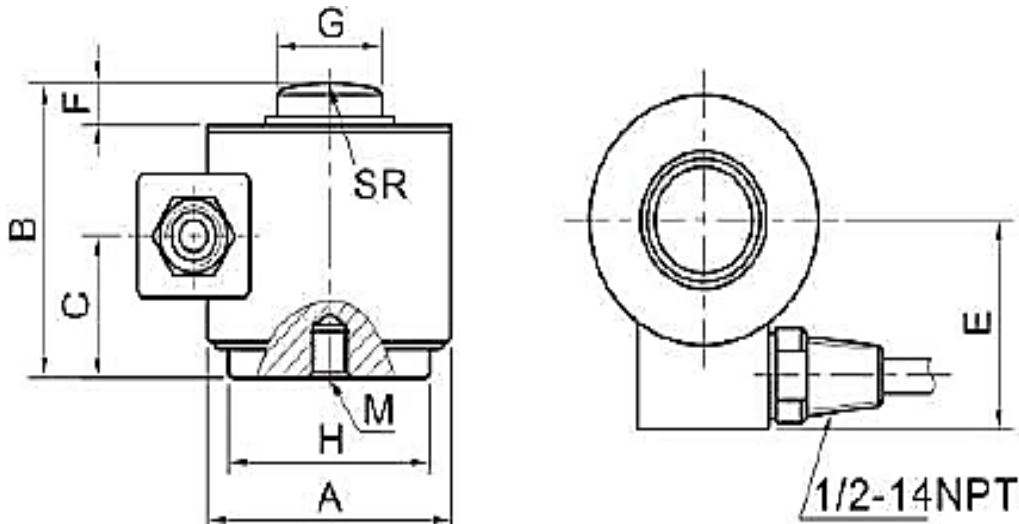
Wiring



MLC25

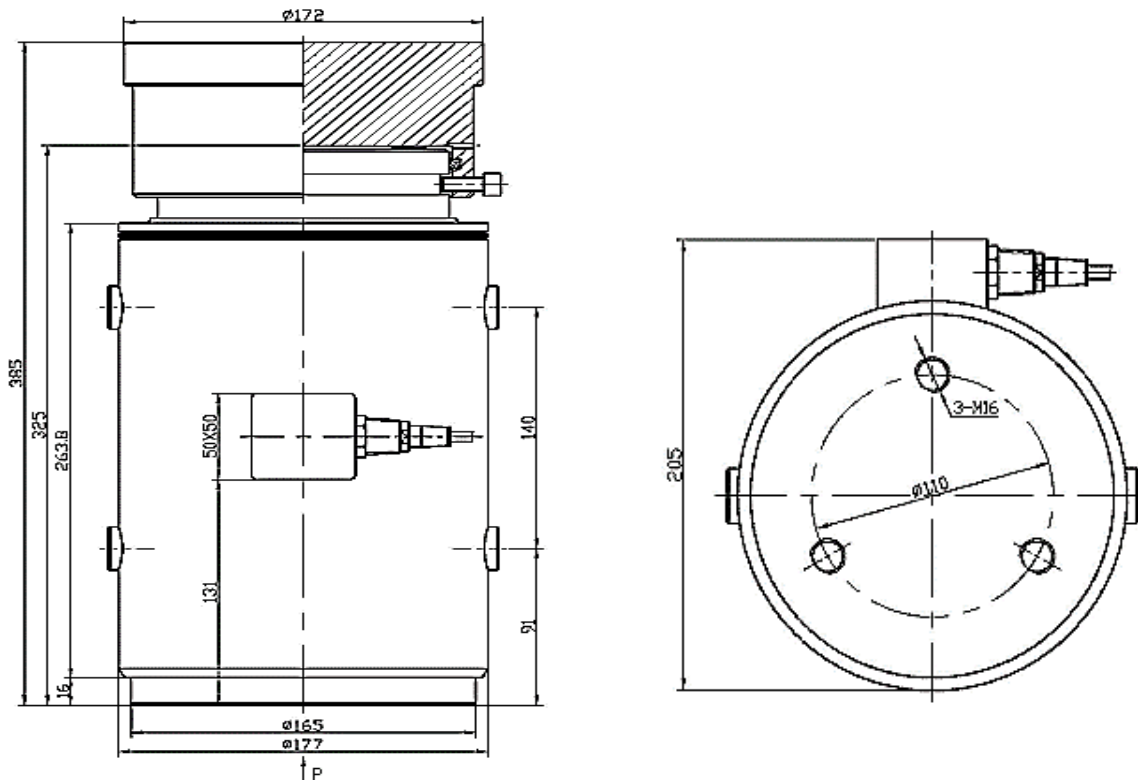
Column Compression Load Cell

Dimensions



Capacity(t)	A	B	C	E	F	G	H	SR	mm	DP
5,10,20	75	83	32.5	64	10	31.8	62	125	M12*1.75	13
50	100.6	127	54.6	86	14	59	88.6	152	M20*1.5	18
100	150.6	184.5	92	108	26	80	134.4	400	M20*1.5	25
200	164	229	92	108	26	93.7	148	400	M20*1.5	25
400	177	304.8	117	115	26	139.7	165.1	1143	M20*1.5	32

500 ton Dimensions as below



Note: All specifications are subject to change without prior notice

Ver. 5.3-20/09