

MLW64

Miniature Compression Load Cell

MeasureX

Features

- Compact size ($\Phi 20\text{mm}$)
- Load Measurement Range of 0-5kg to 0-2000kg
- Rugged Model Steel Alloy Material
- Very Competitive Price



Description

MLW64 with Steel alloy material is a rugged and accurate load cell suitable for compression load measurement. This miniature load cell offers great flexibility and reliability for a wide range of applications with highly competitive pricing. MLW64 is available in standard ranges from 0 to 5kg up to 0-2000kg with an output of mV/V. Standard precision is 0.5% FS. The robust construction of MLW64 with its high performance makes it ideal for demanding long term applications.

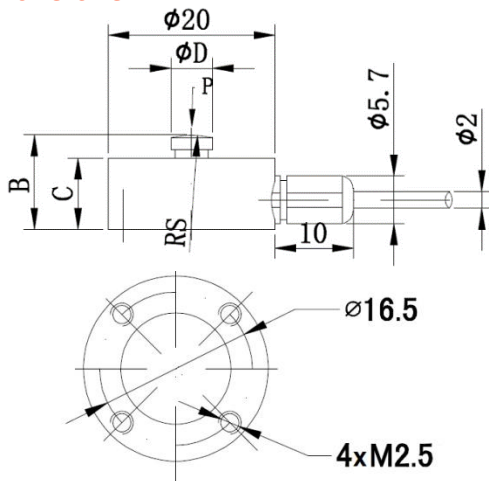
Applications

- Industrial Automation and Robotics
- Precision mechanisms
- Measuring and control systems
- Universal testing machines
- Level and inventory measurement
- Flat mounting weighing systems

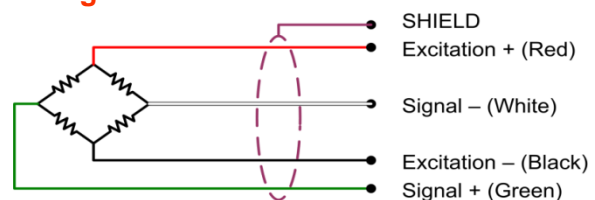
Technical Specifications

- **Capacity:** 5, 10, 20, 30, 50, 100, 200, 300, 500, 1000, 2000kg or other ranges
- **Output:** 1 ~ 1.5 mV/V
- **Precision:** 0.5% FS (standard), (combined LRH error)
- **Creep:** $\pm 0.5\%$ FS / 30min
- **Overload rating:** 120% FS
- **Excitation:** 5VDC
- **Maximum Excitation:** 10VDC
- **Compensated temp. range:** -10 to 60°C
- **Operating temp. range:** -20 to +80°C
- **Temp. coefficient of zero:** 0.5% FS /10°C
- **Temp. coefficient of span:** 0.5% FS /10°C
- **Input resistance:** 350 \pm 5 Ω
- **Output resistance:** 350 \pm 5 Ω
- **Insulation resistance:** $\geq 5000\text{M}\Omega$ @ 100VDC
- **Protection:** IP65
- **Zero unbalance:** $\pm 2\%$ FS

Dimensions



Wiring



Capacity (kg)	B	C	D	RS
5- 500kg	11	8.5	5	20
1000 and 2000kg	11	8.5	6	20

Note: All specifications are subject to change without prior notice

Ver. 5.1-17/01