

# MRB22

## Panel Mounted Pressure Transmitter

# MeasureX

### Features

- High Measuring Accuracy
- Pressure Measurement Range of 0 to 600bar
- Compact and Rugged Model
- Wide Range of Media Compatibility
- Low Static and Thermal Errors
- Reverse polarity and transient current protected



### Description

MRB22 series with SS316L diaphragm is a rugged piezo resistive panel mounted silicon technology based pressure transmitter suitable for harsh environments. This compact pressure transmitter offers great flexibility and reliability for a wide range of applications with highly competitive pricing. MRB22 is available in pressure ranges from 0 to 600bar with voltage or current output option. Standard version of MRB22 is suitable for pressure measurement of gases & liquids compatible with SS316L. The standard Precision is 0.5% FS. The robust construction of MRB22 with its high performance makes it ideal for demanding long term applications.

### Applications

- Production machinery
- Hydrology research
- Data logging
- Machine tool control
- Air conditioning
- Agricultural equipment
- Open cut mining
- Hydrostatic level control
- Hydraulic pumps
- Compressed air line

### Technical Specifications

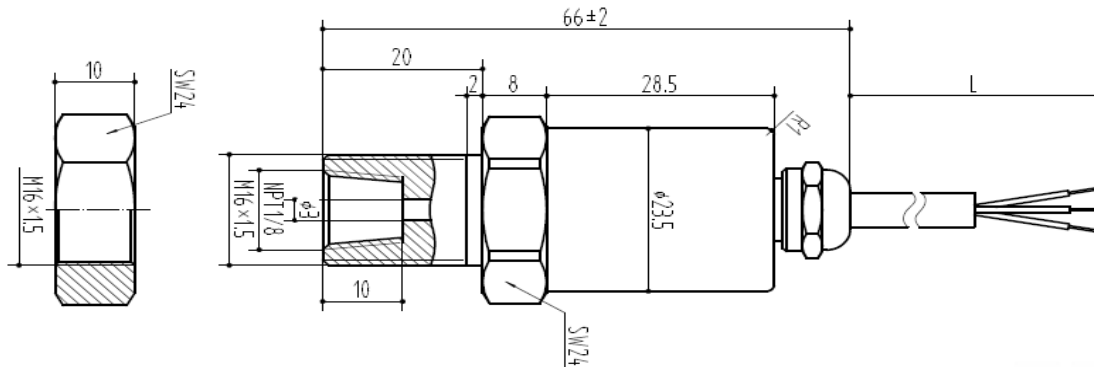
- **Pressure media:** all fluids compatible with stainless steel
- **Ranges:** 0 to 600 bar
- **Pressure references:** Vented Gauge, Sealed Gauge, Absolute
- **Overpressure rating:** 150% FS
- **Supply voltage:** 24 VDC
- **Output signals:** 4/20mA, 1/6V, 0/5V, 0/10V, 1/5V
- **Precision:** 0.5% FS (standard), 0.25% FS, 0.1% FS, combined LRH error
- **Long term stability:** <0.2% FS/year
- **Protection Level:** IP65 with DIN connection; IP67 and IP68 (option) with cable connection
- **Compensated temp. range:** -10 to 60°C
- **Operating temp. range:** -20 to +80°C
- **Temp. coefficient of zero:** 0.02% FS /°C
- **Temp. coefficient of span:** 0.02% FS /°C
- **Insulation resistance:** 100MΩ @ 50VDC
- **Process connection:** 1/8 NPT or others
- **Electrical connection:** 2m cable or others
- **Case materials:** SS321
- **Diaphragm materials:** SS316L
- **Frequency Response:** 1kHz (with dynamic accuracy of < 2%)

# MRB22

## Panel Mounted Pressure Transmitter

# MeasureX

### Dimensions



### Wiring Connection:

Power +: Red    Signal +: Yellow    GND: Green

### Ordering Code

MRB22							
	<b>Range</b>	0 25 50 100 200 400 600 bar					
		<b>Pressure Reference</b>					
		<b>VG</b> (vented gauge)	<b>SG</b> (sealed gauge)	<b>Abs</b> (absolute)			
		<b>Precision ±<sup>(1)</sup></b>					
		<b>0.5% FS</b>	<b>0.25% FS</b>	<b>0.1% FS</b>			
		<b>Output Signal</b>					
		<b>4/20mA</b> (2 wire loop-powered)			<b>0/5V</b> volts		
		<b>0/10V</b> volts	<b>1/6 V</b>	<b>1/5V</b> volts			
		<b>Pressure Port</b>					
		<b>G1/4</b> (1/4" BSPP male)			<b>G1/2</b> (1/2" BSPP male)		
		<b>R1/4</b> (1/4" BSPT male)		<b>NPT1/8</b>	<b>others</b>		
		<b>Electrical Connection</b>					
		<b>3m</b> Cable			<b>DIN 43650</b> connector		
		<b>3m IP68</b> Cable <sup>(2)</sup>			<b>and others</b>		
		<b>Diaphragm Material</b>					
<b>MRB22</b>	<b>100 bar</b>	<b>SG</b>	<b>0.5%</b>	<b>4/20mA</b>	<b>G1/4</b>	<b>3m</b>	<b>SS316L</b>

**Notes:** All specifications are subject to change without prior notice

Ver. 5.1-17/07