

MRQ24

Melt Pressure & Temperature Transmitter

MeasureX

Features

- High Measuring Accuracy of 0.25%
- Pressure Measurement Range of 35 to 1000bar
- Temperature range of 400°C
- Optional Hastelloy-C diaphragm
- Zero and span adjustable



Description

MRQ24 is strain gauge-based melt pressure and temperature transmitter with stainless steel body designed to be used in high temperature (up to 400°C) and harsh environments.

Providing thermal isolation to electronic circuits enables MRQ24 to measure both pressure and temperature accurately. Internal 80%FS shunt calibration offers zero and span adjustment of the sensor.

MRQ24 is available in pressure ranges from 35 to 1000bar with an output of mA or V. Mercury free transmitter filled with special oil for the food industry is available on request. Option for Hastelloy diaphragm is available on request. While the standard Precision is 1%FS, you can optionally get a precision of 0.5%FS and 0.25%FS. The option of having Ti-Ni coated diaphragm is available on request to withstand against corrosion, abrasion and high temperature.

Applications

- Extrude machines
- Rubber injection machines
- Plastic moulding machines
- High-temperature process lines
- Food and Energy

Technical Specifications

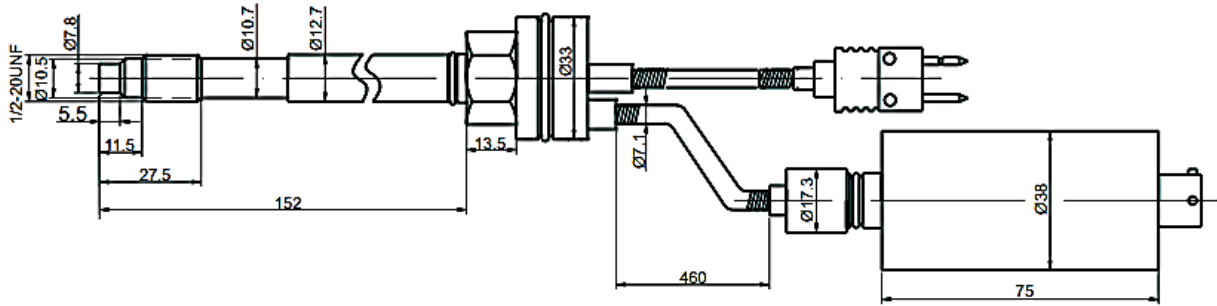
- **Pressure media:** all fluids compatible with Stainless Steel and option for other medias
- **Ranges:** 0-35 to 0-1000bar
- **Pressure references:** Sealed Gauge
- **Overpressure rating:** 200% FS
- **Supply voltage:** 12 to 36 VDC
- **Output signals:** 3.3mV/V, 4/20mA, 0/5V, 0/10V
- **Precision:** 1%FS, 0.5% FS, 0.25% FS
- **Long term stability:** <0.2% FS/year
- **Temperature sensor:** J type or others
- **Thermocouple connection:** 2 pin plug in connector
- **Compensated temp. range:** 0 to 80°C
- **Operating temp. range:** 0 to +400°C
- **Temp. coefficient of zero:** 0.05% FS /°C
- **Temp. coefficient of span:** 0.05% FS /°C
- **Insulation resistance:** 100MΩ @ 50VDC
- **Load resistance (R_L):** (U-12V)/0.02A
- **Process connection:** ½-20UNF or others
- **Electrical connection:** 6pin or others
- **Case materials:** SS321
- **Diaphragm materials:** Stainless Steel, Titanium, Hastelloy, Tantalum, others

MRQ24

Melt Pressure & Temperature Transmitter

MeasureX

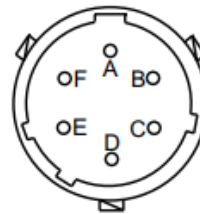
Dimensions



MRQ24 with 1/2-20UNF process connection

Wiring

- A (red): Signal+
- B (black): Signal-
- C (white): Excitation+
- D (green): Excitation-
- E (blue) F (orange): 80%FS calibration



Ordering Code

MRQ24								
Range	35, 50, 100, 200, 350, 600, 800, 1000 bar							
Precision ±								
	1% FS	0.5% FS	0.25% FS					
Length of Flexible Extension								
	380mm	458mm	762mm	Other length				
Output Signal								
	4/20mA		0/5V volts					
	0/10V volts		mV/V					
Pressure Port								
	1/2-20UNF		G1/2(1/2" BSPP male)					
	M18x1.5		others					
Electrical Connection								
	6 pin male connector			others				
Temperature Sensor								
	J type							
	K type							
	Pt100							
MRQ24	35bar	0.5%	380mm	4/20mA	G1/2	6pin	J Type	

- Notes:**
- 1) All specifications are subject to change without prior notice.
 - 2) 2 core cable of various lengths are available with the mating connector.
 - 3) Mercury free transmitter is available for food industry
 - 4) Canbus and HART output is available on request

Ver. 5.7-18/05