

MDP44

Slider Potentiometer

MeasureX

Features

- High Measuring Accuracy
- Measurement Range of 75 to 2500mm
- Compact and Rugged Model
- Wide Range of Applications
- Low Static and Thermal Errors
- Suitable for Static Measurement



Description

MDP44 series with slider potentiometer allows a much longer range of up to 2500mm in a compact construction. It is a rugged potentiometer based displacement sensor suitable for static measurement in harsh environments. This compact displacement sensor offers great flexibility and reliability for a wide range of applications with highly competitive pricing.

MDP44 is available in measuring ranges from 75 to 2500mm with a Voltage output, relative to supplied input voltage. The grooves in the side of the body provide flexible mounting options in many applications. Standard Nonlinearity is $\pm 0.1\%$ FS for range of 75-2500mm. The robust construction of MDP44 with its high performance makes it ideal for demanding long term applications.

Applications

- Automation applications
- Hydraulic cylinder positioning
- Construction and mining industry
- Aerospace, automotive and rail applications
- Presses
- Industrial machinery positioning
- Valve position control
- Inspection and quality control systems

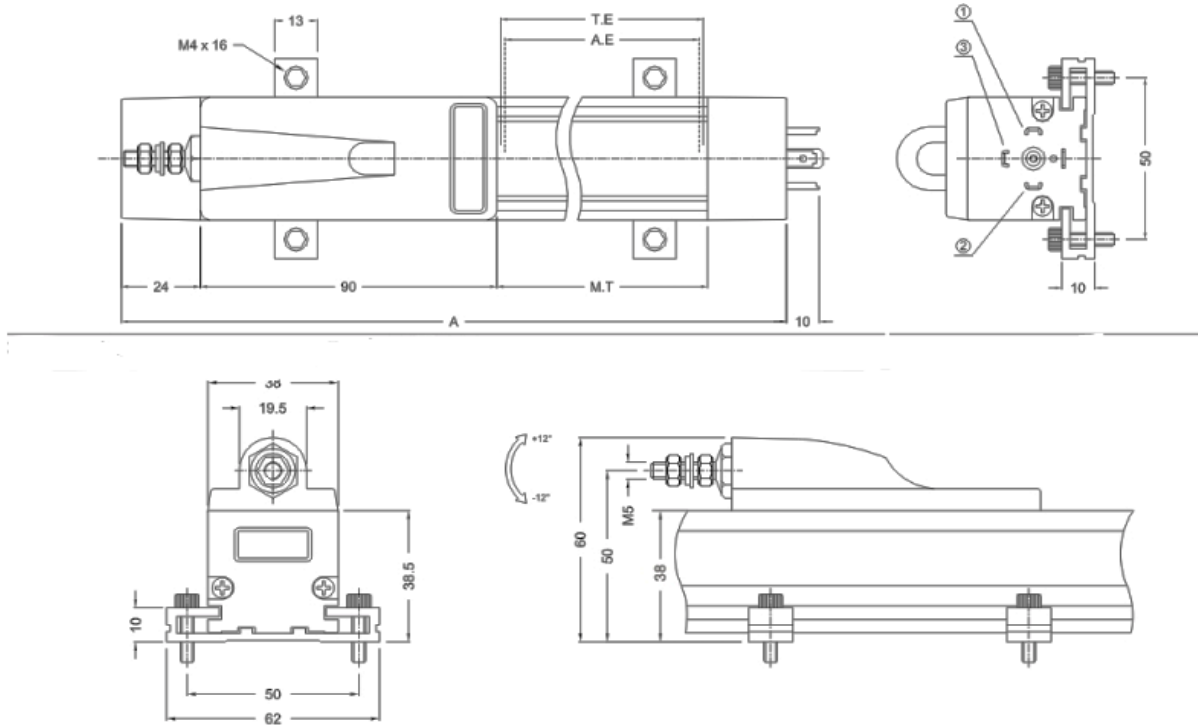
Technical Specifications

- **Ranges:** 75 to 2500mm
- **Input voltage:**
 - 5-12VDC for range: 75 - 400mm
 - 5-36VDC for range: 500 -2500mm
- **Operating current:** $\leq 10\text{mA}$
- **Output:** Nearly same as input voltage
- **Maximum operating speed:** 10m/s
- **Linearity:** $\pm 0.1\%$ FS for range 75-2500mm
- **Repeatability:** $\leq 0.01\text{mm}$
- **Shock rating:** 50g
- **Operating temp. range:** -60 to +100°C
- **Temp. coefficient of span:** $\leq 1.5\text{ppm FS}/^\circ\text{C}$
- **Relative humidity:** 90%, no condensation
- **Resistance:** 5k Ω $\pm 10\%$ for range < 600mm
10k Ω $\pm 10\%$ for 600 \leq range <1000mm
20k Ω $\pm 10\%$ for range $\geq 1000\text{mm}$
- **Electrical connection:** DIN connection,
- **Body material:** Aluminium
- **Vibration rating:** 20g
- **Protection level:** IP54

MDP44

Slider Potentiometer

Dimensions



MDP44 with moving slider

Definition	Size (mm)
Range	Selectable based on ordering table (below table)
Mechanical stroke	Range +7mm
Total Body Length (A)	Range + 80mm

Ordering Code

MDP44			
	Range	75, 100, 125, 150, 200, 250, 300, 400, 500, 600, 800, 1000, 1250, 1500, 1600, 1800, 2000, 2250, 2500mm or other ranges in mm	
		Probe Tip Shape	
		M5 Thread	
		D5 end joint	
		Electrical Connection	
		DIN connector with desired cable length	
MDP44	800mm	M5	DIN-X meters

Note: (1) All specifications are subject to change without prior notice
 (2) Please mention the required cable length

Ver. 5.3-23/11