

MLB21

Shear Beam Load Cell

MeasureX

Features

- High Measuring Accuracy
- Load Measurement Range of 5 to 500kg
- Compact and Rugged Model
- Stainless Steel or Steel Alloy Material
- Welded Sealing



Description

MLB21 series with steel alloy or stainless steel material is a rugged and accurate load cell suitable for tension or compression load measurement. This shear beam load cell offers great flexibility and reliability for a wide range of applications with highly competitive pricing.

MLB21 is available in standard ranges from 5kg to 500kg with an output of mV/V. The standard Precision is 0.05% FS. The robust construction of MLB21 with its high performance makes it ideal for demanding long term applications.

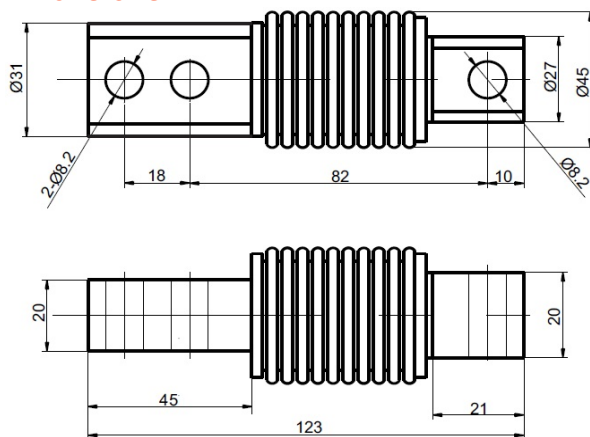
Applications

- Electronic scales
- Bin and hopper weighing systems
- Mechanical scale conversion
- Hanging Scales
- OEM scale construction
- Level and inventory measurement

Technical Specifications

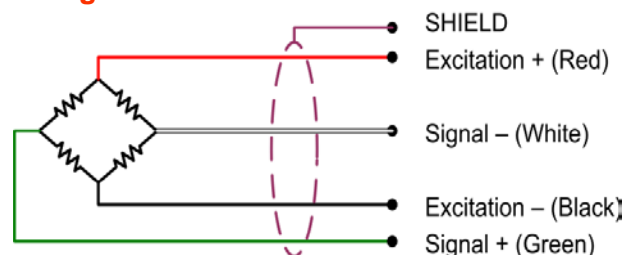
- Capacity: 5, 10, 20, 30, 50, 100, 200, 300, 350, 500kg or other ranges
- Output: $2.0 \pm 0.002\text{mV/V}$
- Precision: 0.05% FS (combined LRH error)
- Creep: $\pm 0.02\%$ FS / 30min
- Overload rating: 150% FS
- Excitation: 9 to 12 VDC
- Zero unbalance: $\pm 1\%$ FS
- Protection: IP66 and option of IP67
- Compensated temp. range: -10 to 40°C
- Operating temp. range: -20 to $+55^\circ\text{C}$
- Temp. coefficient of zero: 0.02% FS / 10°C
- Temp. coefficient of span: 0.014% FS / 10°C
- Input resistance: $350 \pm 5\Omega$
- Output resistance: $350 \pm 3\Omega$
- Insulation resistance: $\geq 5000\text{M}\Omega$ @ 50VDC
- Electrical connection: 4-core shielded cable, $\Phi=5\text{mm}$ and length=3m or others

Dimensions



Dimensions are in mm

Wiring



Capacity	H	d	D
5-300kg	20	8.2	23
350-500kg	19	10.3	24

Note: All specifications are subject to change without prior notice

Ver. 5.2-17/01