

# MLP23

## Double Ended Shear Beam Load Cell

**MeasureX**

### Features

- High Measuring Accuracy
- Load Measurement Range of 20 - 70t
- Compact and Rugged Model
- Stainless Steel Material
- Welded Sealing



### Description

MLP23 series with stainless steel (17-4PH) material is a rugged and accurate load cell suitable for tension-compression load measurement. This double ended shear beam load cell offers great flexibility and reliability for a wide range of applications with highly competitive pricing.

MLP23 is available in standard ranges from 20t to 70t with an output of mV/V. The standard precision is 0.05% FS. The robust construction of MLP23 with its high performance makes it ideal for demanding long term applications.

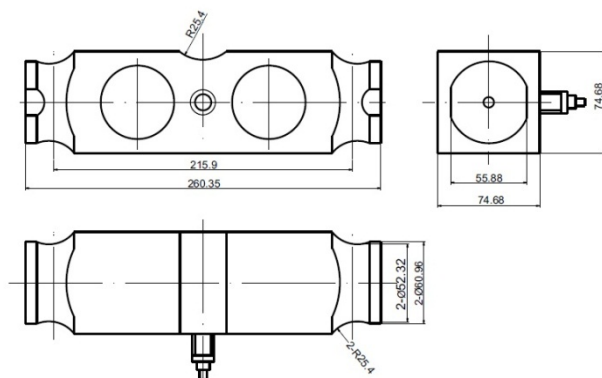
### Applications

- General weighing system
- Crane weighing system
- Rope load measurement
- Vehicle scale
- Hanging Scales
- General cable overload monitoring systems
- Belt tension measurement

### Technical Specifications

- Capacity:** 20, 25, 30, 45, 50, 70t or other ranges
- Output:**  $2.0 \pm 0.003\text{mV/V}$
- Precision:** 0.05% FS (combined LRH error)
- Creep:**  $\pm 0.016\%$  FS / 30min
- Overload rating:** 120% FS
- Excitation:** 5 to 12 VDC
- Zero unbalance:**  $\pm 1\%$  FS
- Protection Level:** IP67
- Compensated temp. range:** -10 to 40°C
- Operating temp. range:** -35 to +65°C
- Temp. coefficient of zero:** 0.019% FS /10°C
- Temp. coefficient of span:** 0.011% FS /10°C
- Input resistance:**  $700 \pm 7\Omega$
- Output resistance:**  $703 \pm 4\Omega$
- Insulation resistance:**  $\geq 5000\text{M}\Omega$  @ 50VDC
- Electrical connection:** 4-core shielded cable and length=10m or others

### Dimensions



### Wiring



◀ Dimensions are in mm

**Note:** All specifications are subject to change without prior notice

Ver. 5.1-12/11