

# MLQ61

## Brake Pedal Load Cell

# MeasureX

### Features

- High Measuring Accuracy
- Load Measurement Range of 50 - 250kg
- Compact and Rugged Model
- Rubber Sealing Cover



### Description

MLQ61 series with Aluminium alloy material body is a rugged and accurate brake pedal load cell designed to measure applied compression load on pedals in braking systems. This load cell offers great flexibility and reliability for a wide range of customers with highly competitive pricing.

MLQ61 is available in standard ranges from 50kg to 250kg with an output option of mV/V or 4-20mA. The standard accuracy is 0.5% FS, while accuracy of 0.25% and 0.1% are available on request. The robust construction of MLQ61 with its high performance makes it ideal for demanding long term applications.

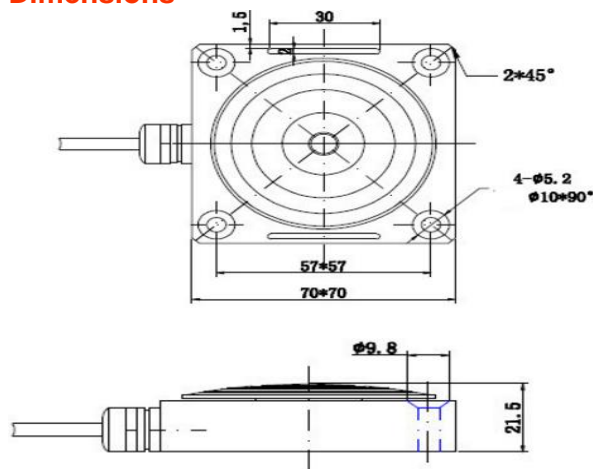
### Applications

- Brake pedal monitoring and testing in:  
Automotive, Rail, Agriculture, Mining, Research and Sport industries.

### Technical Specifications

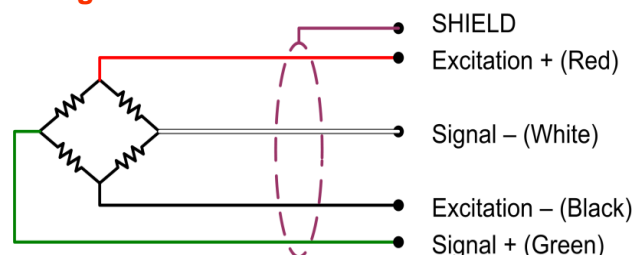
- Capacity:** 50, 100, 150, 200 and 250kg
- Output:**  $1.5 \pm 10\%$  mV/V, 0-5V, 0-10V, 4-20mA
- Accuracy:** 0.5% FS (standard), 0.25%, 0.1% (combined LRH error)
- Creep:**  $\pm 0.1\%$  FS / 30min
- Overload rating:** 150% FS
- Excitation:** 5 to 10 V<sub>DC</sub>
- Zero unbalance:**  $\pm 1\%$  FS
- Protection:** IP62
- Compensated temp. range:** -10 to 40°C
- Operating temp. range:** -20 to +60°C
- Temp. coefficient of zero:** 0.05% FS / 10°C
- Temp. coefficient of span:** 0.05% FS / 10°C
- Input resistance:**  $750 \pm 30\Omega$
- Output resistance:**  $700 \pm 10\Omega$
- Insulation resistance:**  $\geq 5000M\Omega$  @ 50VDC
- Electrical connection:** 4-core shielded cable,  $\Phi=4$ mm and length=3mm or others

### Dimensions



(Dimensions are in mm)

### Wiring



**Note:** All specifications are subject to change without prior notice

Ver. 5.2-17/09