

MPG02

Precision Digital Pressure Gauge

Features

- Measurement precision up to 0.05% FS ensuring stable and reliable readings.
 - RS485 communication, or 4~20mA output.
 - Built-in anti-electromagnetic and anti-radio-frequency interference
 - Full signal isolation and lightning-protection.
 - power-management system providing a battery life of 4–6 years.
-



Description

The MPG02 is a high-accuracy, intelligent digital pressure gauge engineered for demanding Australian industrial applications. Designed for long-term measurement stability, it supports both 4–20 mA analog output and RS485 Modbus communication, ensuring seamless integration with SCADA platforms, PLCs, data loggers, and other process-control systems widely used across Australian industry.

When used with compatible PC-based software, the MPG02 enables direct data logging, trend analysis, reporting, and calibration management, making it well-suited for NATA-accredited calibration laboratories, maintenance departments, and field service teams. Its fully isolated signal architecture and advanced anti-interference design provide stable and noise-resistant performance in electrically challenging environments, including mine sites, power stations, chemical processing plants, and water treatment facilities.

Powered by a robust long-life lithium battery (4–6 years), the MPG02 continues to provide reliable pressure measurement even during external power loss, ensuring uninterrupted data retention (communication functions temporarily disable during power outages).

The instrument is available in axial, radial, and panel-mount configurations, offering flexible installation across mobile service equipment, hydraulic and pneumatic systems, pressure test rigs, irrigation networks, and other industrial setups. It is ideal for the calibration and verification of diverse pressure devices such as differential pressure transmitters, vernier gauges, industrial mechanical gauges, HVAC pressure controls, and medical sphygmomanometer.

Applications

- | | |
|--|---|
| ■ Water supply and wastewater networks | ■ Machinery and general industrial automation |
| ■ Power generation and energy systems | ■ Hydraulics and pneumatics |
| ■ Petroleum and petrochemical industries | ■ Chemical processing plants |
-

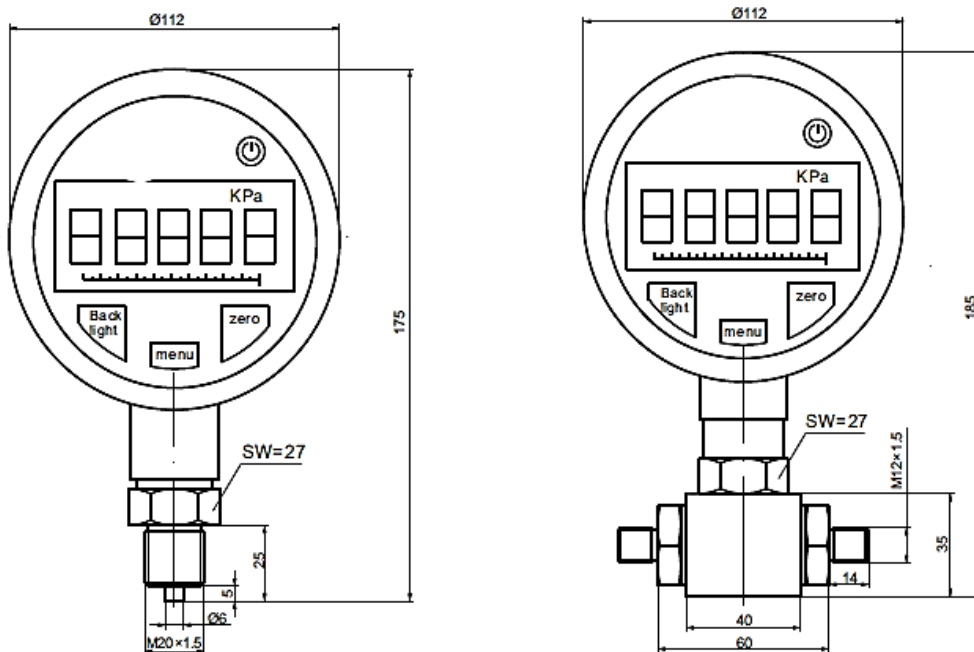
MPG02

Precision Digital Pressure Gauge

Technical Specifications

- **Pressure Range:** -1...0...2600bar
- **LCD display :**5 digit
- **Pressure type:** Gauge, Absolute, sealed & Differential
- **Accuracy:** 0.05% FS
- **Overload Pressure:** 150% FS
- **Output Signal:** 4/20mA
- **Communication:** RS485
- **Battery Power Supply:**3.6V battery or 10-30VDC for Communication and 4/20mA output
- **Compensated temp. range:** 10 to +70°C
- **Operating temp. range:** -30 to +100°C
- **Sampling Speed:**4 times/ second
- **Load resistance:** $RL=(U-12V)/0.02A$ (4~20mA current output) U—loop voltage)
- **Housing Material:** 304SS
- **Process connection:** G1/2 or others
- **Long term Stability:**<0.1%FS/ year

Dimensions:



Ordering Code

MPG02							
	Range	-1...0~0.1bar...2600bar (X1~X2) bar X1: lower limit of actual measuring range X2 higher limit of actual measuring range					
		Pressure Reference					
		VG (vented gauge)	SG (sealed gauge)	Abs (absolute)			
		Precision ± ⁽¹⁾					
		0.05%FS					
		Pressure Port					
		G1/2, G1/4, M20*1.5, 1/2 NPT, others					
MPG02	0~30bar	SG	0.05%	G1/2	-	-	-

Note: All specifications are subject to change without prior notice

Ver. 1.0-25/11